

# GAS FIRED STOVES

(ROOM SEALED)

## USER INSTRUCTIONS

(To be left with customer)

700 DV

DRAGON DV



[www.esse.com](http://www.esse.com)

Ouzledale Foundry Co. Limited, Long Ing, Barnoldswick, Lancashire BB18 6BN  
Tel: 01282 813235 Fax: 01282 816876 Email: [esse@ouzledale.co.uk](mailto:esse@ouzledale.co.uk)



## 1. GENERAL

This stove has been individually designed to add charm and character to your home.

Providing a highly efficient heat source, the stove has the look and charm of a real stove coupled with the convenience of clean burning gas.

Due to the newness of materials the stove may give off a slight smell for a period of time after commissioning. This is quite normal and any odours should disperse after a few hours operation.

## 2. IMPORTANT NOTES

The installation must be in accordance with National Regulations and must be carried out by a qualified installer.

Under no circumstances should the appliance be operated without the glass frame attached or glass door damaged.

All surfaces except the control knob are considered to be working surfaces. Most parts of the stove will get hot during and after use. If young children, the elderly, or infirm are likely to be near the stove a suitable fireguard is recommended.

A combustible shelf may be fitted over the appliance provided that in the case of a 150 mm or less deep shelf, there is at least 610 mm clearance above the top of the stove.

The stove should not be used for any other purpose than as a room heater and decorative stove.

## 3. HEARTH

The stove must stand on a non-combustible hearth of at least 12 mm thickness, and be of sufficient size to accommodate the stove.

## 4. VENTILATION

As the stove is room sealed additional ventilation is not normally required.

## 5. FIRE SURROUNDS

It is recommended that a fire surround made from combustible material should not be closer than 610 mm to the stove.

## 6. LOG ARRANGEMENT

The logs should only be arranged as shown in the log layout given in the Installation Instructions by a qualified person.

The stove must only be fitted with the ceramics supplied. DO NOT use any extra logs.

## 7. OPERATING THE STOVE

This stove has a pilot that must be lit manually. When lighting the pilot follow these instructions exactly.

### Lighting Instructions

Should the stove be extinguished for any reason wait 3 minutes before ignition is attempted.

Push in gas control knob slightly and turn clockwise to 'OFF' (knob A, fig.1)).

### NOTE

Knob A cannot be turned from 'PILOT' to 'OFF' unless knob is pushed in slightly. Do not force.

Turn knob A counter clockwise towards the ignition position (IGN) until reaching stop, press down and hold for five seconds (only pilot gas flows). Continue pressing down knob A (fig.1) while turning further counter clockwise to activate piezo, continue to hold down for ten seconds after pilot burner has been lit. If pilot does not light, steps 1 and 2 can be repeated immediately. Upon lighting, release knob and turn further counter clockwise to ON position. Pilot gas flows and main gas flows in accordance to the temperature setting knob B).

### Adjusting the Flame Height

To turn the fire on and/or to increase the flame height, press the ON button of the remote handset. Continue pressing until the desired flame height is obtained. Press and hold the OFF button to reverse the procedure.

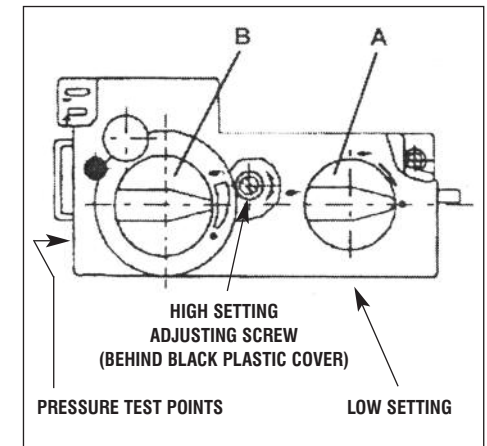
The receiver is equipped with a built-in delay, recognisable by the flickering light, to facilitate fine adjustment of the flame. The motorised valve is equipped with a slip clutch, allowing manual adjustment of main gas by turning knob B.

Set the desired programme and temperature on the handset as described in **Handset Operation**.

### To Turn Off Gas to Stove

Turn knob A clockwise until reaching stop. In this position only pilot gas flows. To shut off the valve completely, press down slightly and continue to turn clockwise from pilot position to the OFF position. The safety interlock prevents re-ignition of the pilot flame until the thermocouple has cooled down sufficiently (elapsed time will vary based on thermocouple type). Switching off the remote is not necessary.

Control Knob - Fig.1



## Handset Operations

### Setting the display

- After connecting the battery or by simultaneously pressing **AUTO** and **TIMER**, the display flashes.

You are in set mode.

- From set mode, press **AUTO** to switch from °F (and 12 hour clock) to °C (and 24 hour clock) or vice versa.
- The display will automatically return to manual after some time, but you may immediately return to manual by depressing the **TIMER** button.

### Remote Transmitter G30-ZRHHT - Fig.2



### NOTE

Mains electrical power is not required as this system runs on batteries only.

Battery information: Handset - 1 x 9V block,  
Receiver - 4 x 1.5V AA.

### Setting the current time

- After connecting the battery or by simultaneously pressing **AUTO** and **TIMER**, the display flashes.

You are in set mode.

- From set mode, press (▲) to set the hour and (▼) to set the minute.
- Wait or press **TIMER** to return to “manual” mode.

### Programming the Desired Set Temperature

- Press **AUTO** until the display flashes.
- Press (▲) or (▼) to set the desired temperature.
- Wait or press **AUTO** to switch to automatic mode.
- A sensor in the transmitter measures the room temperature. The controller compares the room temperature with the set temperature and sends a signal to the receiver to turn the gas valve motor, which adjusts the flame height accordingly.

### Programming the Timer

- Press **TIMER** until P1\* flashes (period 1, heating cycle on).
- Set the time for the beginning of the first heating period by pressing (▲) for hour and (▼) for minute.
- Press **TIMER** again; P1▶ appears.
- Set the time for end of the first heating period.
- Press **TIMER** again to set the second heating period P2▶ (heat off).
- Store both heating periods by pressing **TIMER** again.
- If only one heating period is desired, program the same time for P2\* and P2▶ as for P1\* and P1▶.

### Manual Mode (MAN in display) for Manual Flame Height Adjustment

- Press (▲) to turn on the fire (main burner) or to increase flame height.
- Press (▼) to decrease flame or to turn down to pilot.
- To incrementally increase or decrease the flame height lightly tap either the (▲) or (▼) button.
- The “send” symbol appears in the upper left corner of the display when either large button is depressed.
- The LED of the receiver flashes when knob B of the valve reaches the end stops.

### Automatic Mode (AUTO in display) for Temperature Control

- Briefly press **AUTO**. The set temperature will appear briefly before the display reverts to the room temperature.

### Timer Mode (TIMER in display)

- During heating periods P1\* and P2\*, the temperature is controlled in the same manner as in automatic mode.
- When the timer program turns to ▶ (heating cycle off), the motor will turn the valve to pilot and there is no temperature control. This minimises battery consumption.
- You may press **AUTO** to verify the set-temperature and then press **TIMER** to return to timer mode.
- You may press either the (▲) or (▼) button from any mode for manual override.
- To prolong battery life, we recommend switching the transmitter to manual model and turning the fire to pilot with the (▼) button before turning the appliance off. If the transmitter is left in automatic or timer mode, the batteries will continue to be used when the appliance is off.

### Changing the Battery

- If **BATT** appears in upper right hand corner of the display or if the LED of the receiver becomes faint, please change the battery from transmitter or receiver. If the batteries lose power, the flame height can be adjusted by manually turning knob B.

**NOTE**

Please note, the placement of the transmitter (temperature sensor) is important to assure proper temperature regulation. Generally, a more constant temperature will be assured, if the transmitter is not too far from the gas appliance. Before switching to **AUTO** or **TIMER** mode, press either button (▲) or (▼) to verify the reception (when the send symbol appears in the transmitter display, the receiver's LED must illuminate). For the **AUTO** or **TIMER** mode to function correctly, the transmitter must remain within range of the receiver. The transmitter should not be used in very close proximity to the receiver (less than 1m/3ft) as this could, in very rare cases, produce an electronic switching error. This error could block the motor when the knob reaches the end points of its turning radius. The knob must then be turned manually to free the blockage.

The temperature is controlled by activating the motor for a specific length of time to adjust the appropriate flame height. This time is calculated by the transmitter and depends on variables such as room size, heater capacity, battery power, etc. Therefore, a few cycles are necessary before an optimum is achieved. If a low flame is sufficient to provide enough warmth to the room, then the appliance will cycle between low fire and off. This allows longer periods with the flame on and provides a more uniform room temperature.

**NOTE**

It is recommended to turn the combination control either to the off or pilot position if the appliance is left unattended for longer periods (e.g. away on holiday), so that it cannot receive commands from the remote transmitter. Exercise caution when leaving the appliance unattended, in exceptional cases sound waves from sources other than the transmitter can cause changes in flame height adjustment.

**8. CLEANING**

---

Ensure that the stove is turned off before cleaning and is cold.

DO NOT use abrasive cleaning agents.

The stove is supplied with ceramic logs that should only be cleaned and arranged by a qualified person in accordance with the Installation Instructions.

If required the glass frame may be cleaned as described in the Installation and Servicing Instructions.

**9. DATA INFORMATION**

---

The data label is located at the rear of the stove.

**10. SERVICING**

---

It is essential that the stove is regularly serviced, and the flue system checked by a qualified person.